



2010 Associate CET Study Guide Errata Sheet

An updated version of the Associate CET Study Guide Errata Sheet can be found online at www.eta-i.org/2010ASTerrataSheet.pdf

* denotes items which relate closely to the text or may be mentioned in the text but are not explained.

Pg 4, CET Program Description

Pertaining to the Satellite Endorsements:

**Each of the four endorsements (Antenna, C and Ku Band, Commercial, and SMATV), if taken at separate times, is \$60 per endorsement; if the CSI and all four endorsements are taken at the same time it is \$240 - a price break of \$75; if you already have your CSI and later take all four of the endorsements at the same time the price is \$180 - a \$60 price break.

Pg 60, Battery Ratings

Under Secondary Cells in the table, Nickel Metal Hydroxide should be Nickel Metal Hydride

Page 69, Semiconductors

Figures 8, 9 and 10 should have the plus (+) and minus (-) signs reversed on the diodes.

Pg 67, Chapter 8 Quiz

* 2, 9

Pg 75, Chapter 9 Quiz

* 2, 3, 5, 6, 8, 9

Pg 80, Unit 4 Exam

* 1, 4, 6, 7, 11

Pg 84, Electronic Power Supplies

First column, last paragraph, “.6 volts” should be “.7 volts”

Pg 86, Chapter 11 Quiz

* 11

Pg 88 and 90, Amplifiers Circuits, Types and dBs

The micro (μ) and ohm (Ω) symbols have been left off in Figures 2, 3 and 6.

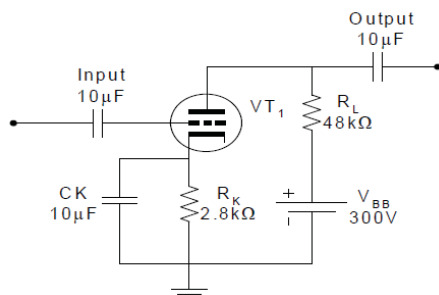


Figure 2 Vacuum Tube amplifier circuit

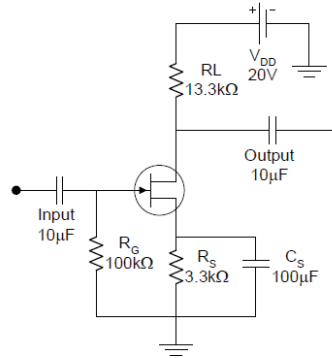


Figure 3 FET amplifier circuit

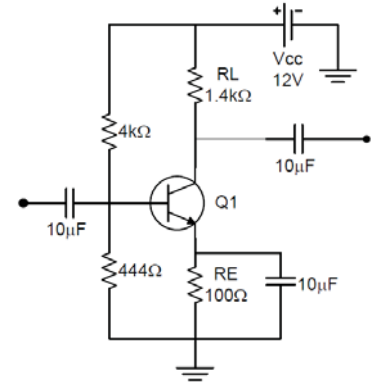


Figure 6

Pg 96, Amplifiers Circuits, Types and dBs

Power Ratio and Voltage Ratio charts are based on $dB = 10 \log P2/P1$ and $dB = 20 \log V2/V1$ respectively

Pg 98, Unit 5 Exam

#6 both A and C are correct

Practice Exam #1

* 11, 47, 64, 66, 81

Practice Exam #2

* 1, 2, 4, 7, 9, 11, 13, 16, 19, 22, 23, 25, 27, 28, 30, 31, 32, 42, 43, 44, 45, 46, 49, 50, 53, 57, 61, 65, 66, 72, 82, 88, 93

#6 - while answer B is partly correct, D is more correct.

#10 - both B and D are correct

#13 - both A and D are correct

#32 - A

#39 - both A and D are correct

#43 - A, C and D are correct

#56 - A